

Striegel Maschinenbau
Inh. Klaus Striegel
Niedere Straße 36
34519 Diemelsee-Flehtdorf
Telefon 0 56 33/8 66, Fax 58 85



comer industries

SPARE PARTS LIST

Rigide Drive Axle

SERIES


120

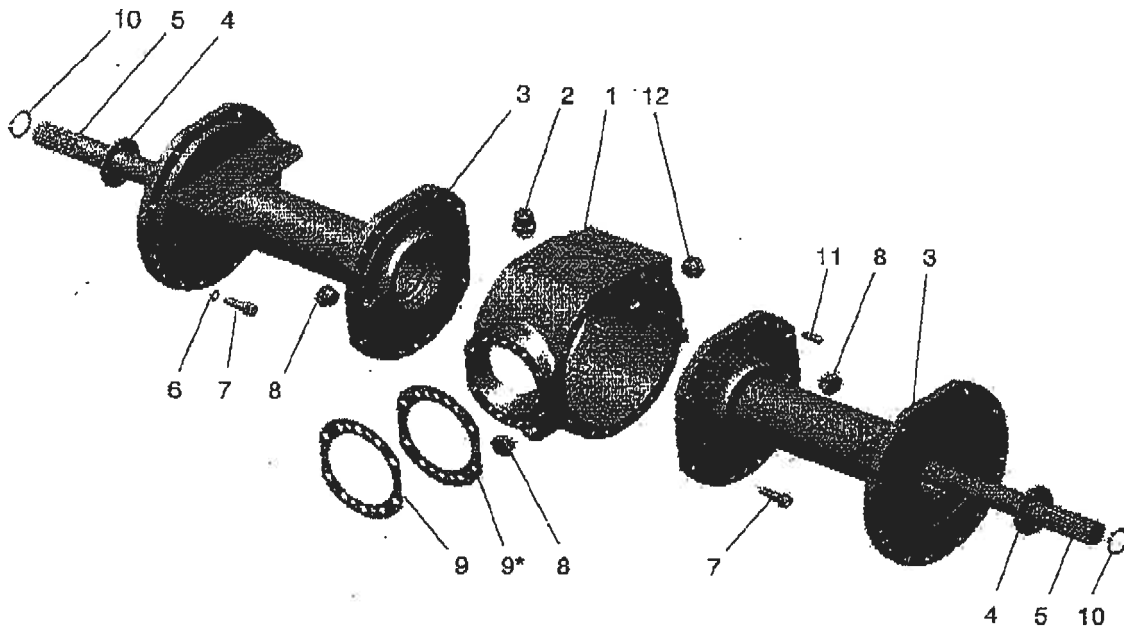
P/N 870602.A001

COMER INDUSTRIES


B.U. Axles & Wheel Drive Units
Via Magellano, 37 - I-42046 Reggio (RE) Italy
Tel. +39 0522 211611 - Fax +39 0522 211601

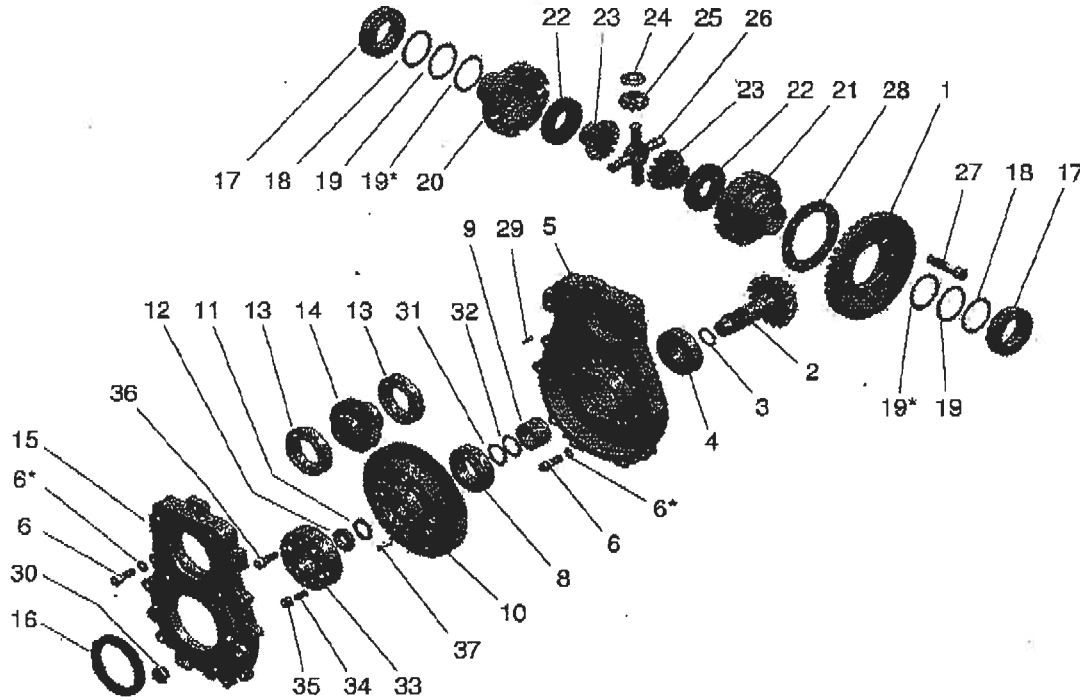
*60029 A
Hinterachse*

 corner industries	Drive axle series S120 P/N 870602.A001	Issue date: 10/08 Revision: 01 Issued by: POS Checked by: POS
---	---	--



Pos.	Part number	Description	Q.ty	Pos.	Part number	Description	Q.ty
1	0000.092.423	Central housing	1				
2	9510.170.000	Oil plug M22x1,5	1				
3	0000.088.862	Side housing	2				
4	0000.155.403	Sun gear washer	2				
5	0000.111.691	Drive shaft	2				
7	0013.012.030	Socket head screw M12x30	44				
8	3123.000.022	Cap M22x1,5 DIN 909	3				
9	0000.180.199	Paper gasket 0,2	2				
9*	0000.180.265	Paper gasket 0,1	1				
10	0740.000.034	Snap ring Diam. 34	2				
11	0655.001.028	Parallel pin Ø10x30	6				
12	3123.000.022	Cap M22x1,5 DIN 909	1				

 comer Industries	Drive axle series S120 P/N 870602.A001	Issue date: 10/08
		Revision: 01
		Issued by: POS
		Checked by: POS



Pos. Part number Description Q.ty

504.704 Bevel pinion assembly 1			
2	0000.178.134	Bevel pinion Z=17	1
3	1120.000.086	O-ring 4112	1
4	8.0.9.00128	Taper rolling bearing 30308	1
5	0000.092.567	Pinion Housing	1
8	8.0.9.01090	Taper rolling bearing 32210	1
9	0000.106.839	Spacer	1
10	0000.174.122	Output gear	1
11	0872.000.407	Shim AS 3047	1
12	0620.000.030	Self-locking nut M30x1.5	1
13	8.0.1.00871	Ball bearing 6208	1
31	0780.010.028	Shim PS 35x45x0,1	\
32	0780.030.268	Shim PS 35x45x0,3	\

6	0013.012.035	Socket screw M12x35 12.9	19
6*	0510.000.130	Spring Schnorr	19
17	8.0.9.01550	Taper roller bearing 32012	2
18	0000.155.412	Shim ø61x70x0,1	/
19	0000.155.413	Shim ø61x70x0,3	/
19*	0000.155.428	Shim ø61x70x0,5	/
29	0655.000.620	Parallel pin diam. 6x20	2
33	0000.111.676	Joint flange	1
34	9390.308.000	Stud bolt M10x25 8G	8
35	0220.000.010	Self lock nut M10 8G	8

Pos. Part number Description Q.ty

504.528 Differential gear assembly 1			
1	0000.178.135	Bevel ring gear Z=38	1
20-21	0000.089.506	Diff. half housing	1
22	9160.130.050	Crown Wheel shim	2
23	0000.176.055	Crown Wheel	2
24	0000.155.407	Side pinion shim	4
25	0000.176.053	Side pinion	4
26	0000.094.423	Spider	1
27	0013.014.070	Socket screw M14x70 12.9	8
28	0000.127.173	Spacer	1

502.909 Cover assembly 1			
29	8.0.1.00871	Ball bearing 6208	1
14	0000.174.129	Input gear	1
15	0000.092.566	Cover pinion	1
16	1111.000.163	Oil seal BASL 95x120x12	1
30	3123.000.022	Plug BE M22x1.5	3

36	9540.312.100	Socket screw M10x30	4
37	0655.001.028	Parallel pin diam. 10x30	4